

5

4

3

2

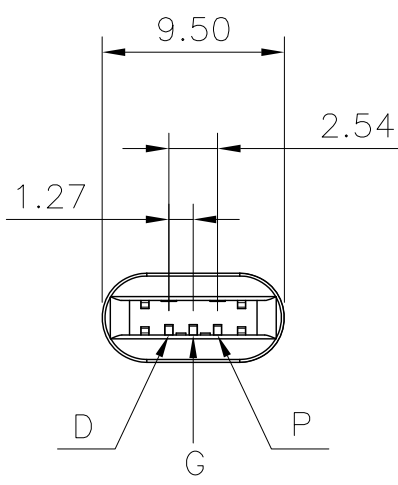
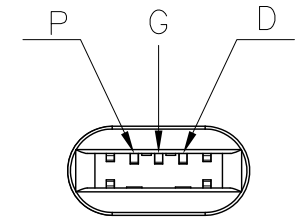
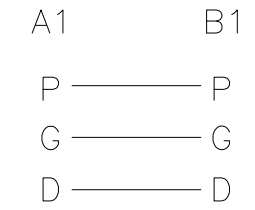
1



REVISIONS				
LTR	DESCRIPTION	DATE	DWN	APVD
A	RELEASED	20/11/28	AW	WK

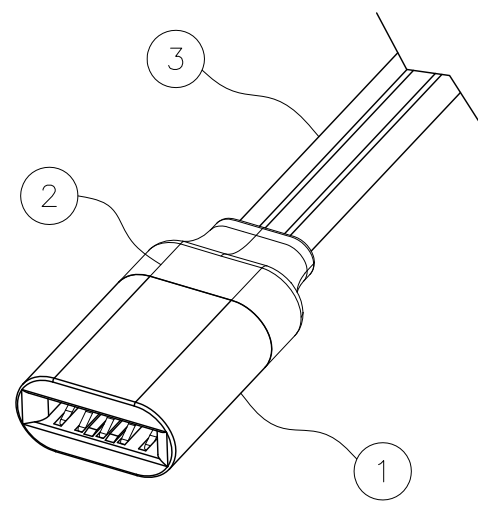


接线示意图



XXXXXX-XXX-XXX	3	1500 mm	≤ 240mΩ	≤ 300mΩ
XXXXXX-XXX-XXX	3	250 mm	≤ 40mΩ	≤ 100mΩ
XXXXXX-XXX-XXX	3	100 mm	≤ 15mΩ	≤ 75mΩ
PART NUMBER	PIN No.	DIM L	RESISTANCE CABLE ONLY	RESISTANCE CABLE AND CONTACTS

No.	DESCRIPTION	QTY	MATERIAL	COLOR
3	SILICONE WIRE	1	3Pin SILICONE WIRE(30/0.08T OD:1.5*4.5MM) ,26AWG	BLACK
2	OVER MOLDED	1	PET	BLACK
1	CONNECTOR	2	JACDAC CONNECTOR PBT , PLATING GOLD FLASH 1u"MIN.	BLACK



THIS DRAWING IS A CONTROLLED DOCUMENT. (此图为宇亮公司受控文件)		DWN A. WU 2020/11/28	东莞市宇亮电子有限公司 DONG GUAN YU LIANG ELECTRONICS CO., LTD NAME 1.27 PITCH 1X3PIN JACDAC CABLE ASSEMBLIES SIZE A4 DRAWING No. ©=YL-ED-0XXXX
DIMENSIONS: mm	TOLERANCES UNLESS OTHERWISE SPECIFIED:	CHEK S. CHIEN 2020/11/28	
 THIRD ANGLE PROJECTION	0 PLC ± 0.50 1 PLC ± 0.30 2 PLC ± 0.20 3 PLC ± 0.15 4 PLC ± - ANGLES ± 3°	APVD Abel 2020/11/28	
	CUSTOMER DRAWING		

5 4 3 2 1

REVISIONS				
LTR	DESCRIPTION	DATE	DWN	APVD
A	RELEASED	20/11/28	AW	WK

材质说明(Note):

1. 塑胶主体 : PBT 加玻纤30%.防火等级 UL94V-0, 颜色: 黑色。
(HOUSING: PBT WITH 30% GF, UL 94V-0, COLOR: Black.)
2. 端子: 磷铜 C5191 ,T=0.40.
(Terminal: PHOSPHOR BRONZE C5191; 0.40 THICKNESS.)
3. 卡钩 : 磷铜 C5191 ,T=0.40.
(Hook :PHOSPHOR BRONZE C5191; 0.40 THICKNESS.)

机械特性(MECHANICAL PROPERTY):

1. 插拔寿命: 1500次。
UNMATING AND MATING LIFE : 1500 CYCLES .
2. 插拔力: 5N-15N。
UNMATING AND MATING FORCE : 5N-15N.

电气特性(ELECTRIC PROPERTY):

1. 额定电压: 250V AC.
(Voltage: 250 volts AC)
2. 额定电流: 1AMP .
(Current: 1.0 amperes.)
3. 接触阻抗 : 30 mΩ Max. .
(Low level contact resistance: 30 mΩ Max.)
4. 绝缘阻抗 : 1000 MΩ, 500V DV.
(Insulation resistance:1000 MΩ, 500V DV)
5. 耐电压 : 500V 1Minute .
(Dielectric withstanding voltage:500V 1Minute)
6. 插拔寿命: 1500次。
UNMATING AND MATING LIFE : 1500 CYCLES .

Section A-A
scale 1: 1

Section B-B
scale 1: 1

XXXXXX-XXX-XXX	3
PART NUMBER	PIN No.

No.	DESCRIPTION	QTY	MATERIAL	PLATING & COLOR
3	HOOK	2	C5191,T=0.4mm	GOLD FLASH 1u"Min. Nickel 50u"Min.
2	TERMINAL	3	C5191,T=0.4mm	
1	HOUSING	1	PBT ,UL94-V0	BLACK

THIS DRAWING IS A CONTROLLED DOCUMENT. (此图为宇亮公司受控文件)		DWN A. WU 2020/11/28	东莞市宇亮电子有限公司 DONG GUAN YU LIANG ELECTRONICS CO.,LTD NAME 1.27 PITCH 1x3pin JACDAC CONNECTOR	
DIMENSIONS: mm		CHEK S. CHIEN 2020/11/28		
THIRD ANGLE PROJECTION		APVD Abel 2020/11/28		
TOLERANCES UNLESS OTHERWISE SPECIFIED: 0 PLC ± 0.50 1 PLC ± 0.30 2 PLC ± 0.20 3 PLC ± 0.15 4 PLC ± - ANGLES ± 3°		PRODUCT SPEC —	SIZE A4	DRAWING No. C=YL-ED-0XXXX
CUSTOMER DRAWING			SCALE 1 : 1	SHEET 1 OF 1

科技 . 链接 . 未来