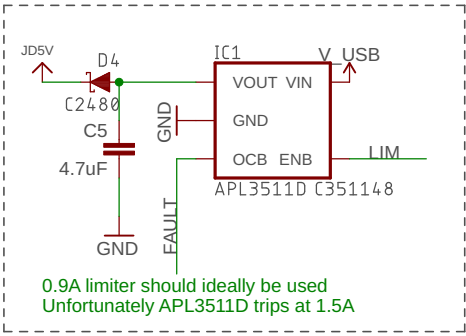
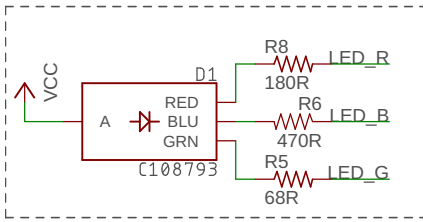
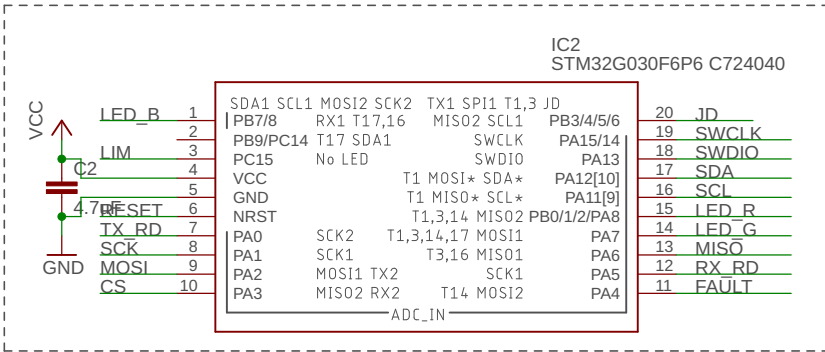
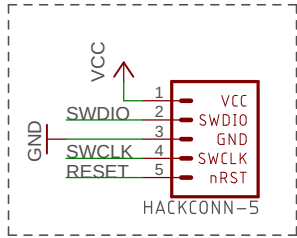
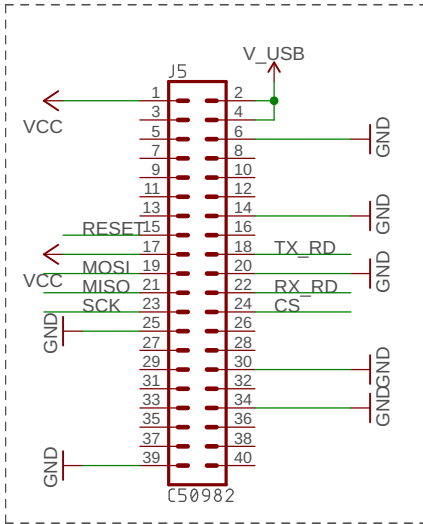


ESD protection may be necessary, possibly separate per Jacdac port.



This information is provided "as-is". You bear the risk of using it. Some information relates to pre-released specification which may change without notice. Microsoft makes no warranties, express or implied, with respect to the information provided here.

Jacdac<-->SPI bridge
for Raspberry Pi v3.7
PROTOTYPE
<https://aka.ms/jdrpi>